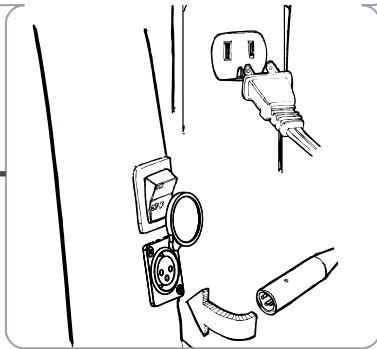


900

scooter QuickStart guide

refer to owners manual for complete assembly instructions

charge 6-8 hours before first use

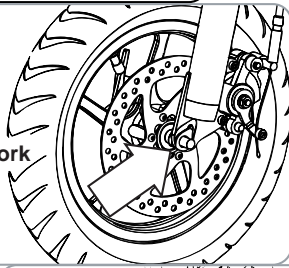


re-charge immediately after each use for 6-8 hours

front wheel assembly

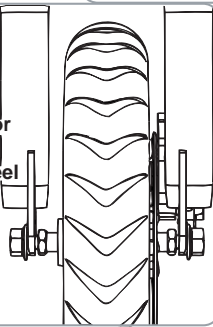
1

insert safety washer into fork



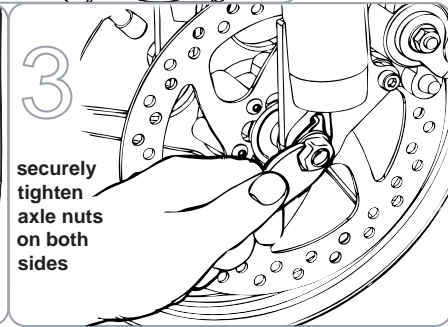
2

guide brake rotor into slot, then center front wheel



3

securely tighten axle nuts on both sides



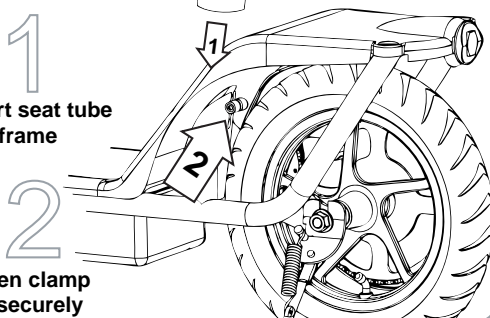
seat assembly

1

insert seat tube into frame

2

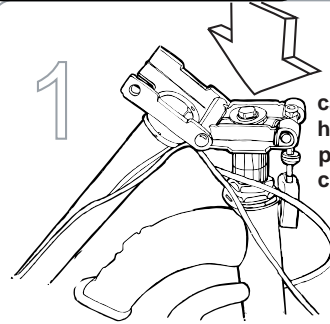
tighten clamp bolt securely



handlebar assembly

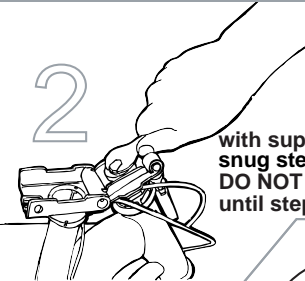
1

carefully insert handlebar. avoid pinching brake cable or wiring.



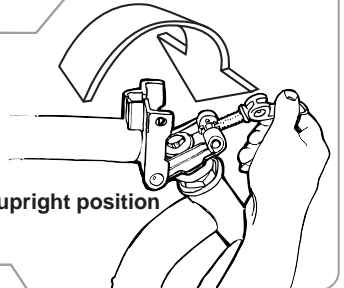
2

with supplied wrench, snug stem bolt DO NOT FULLY TIGHTEN until step #6



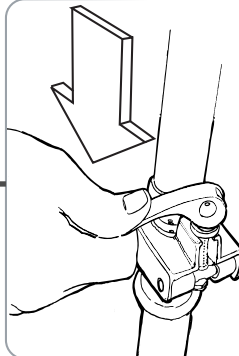
3

put handlebar into upright position



4

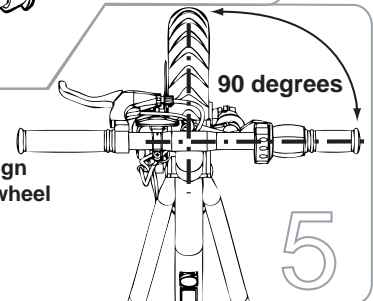
securely lock quick release



90 degrees

hold front wheel in place, then align handlebar with wheel

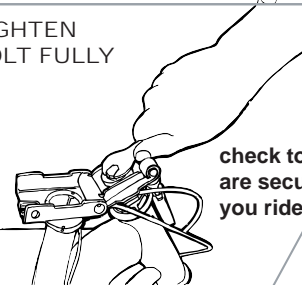
5



TIGHTEN BOLT FULLY

6

check to insure bars are secure before you ride



CURRIE

Customer Service (800) 377-4532
www.CurrieTech.com