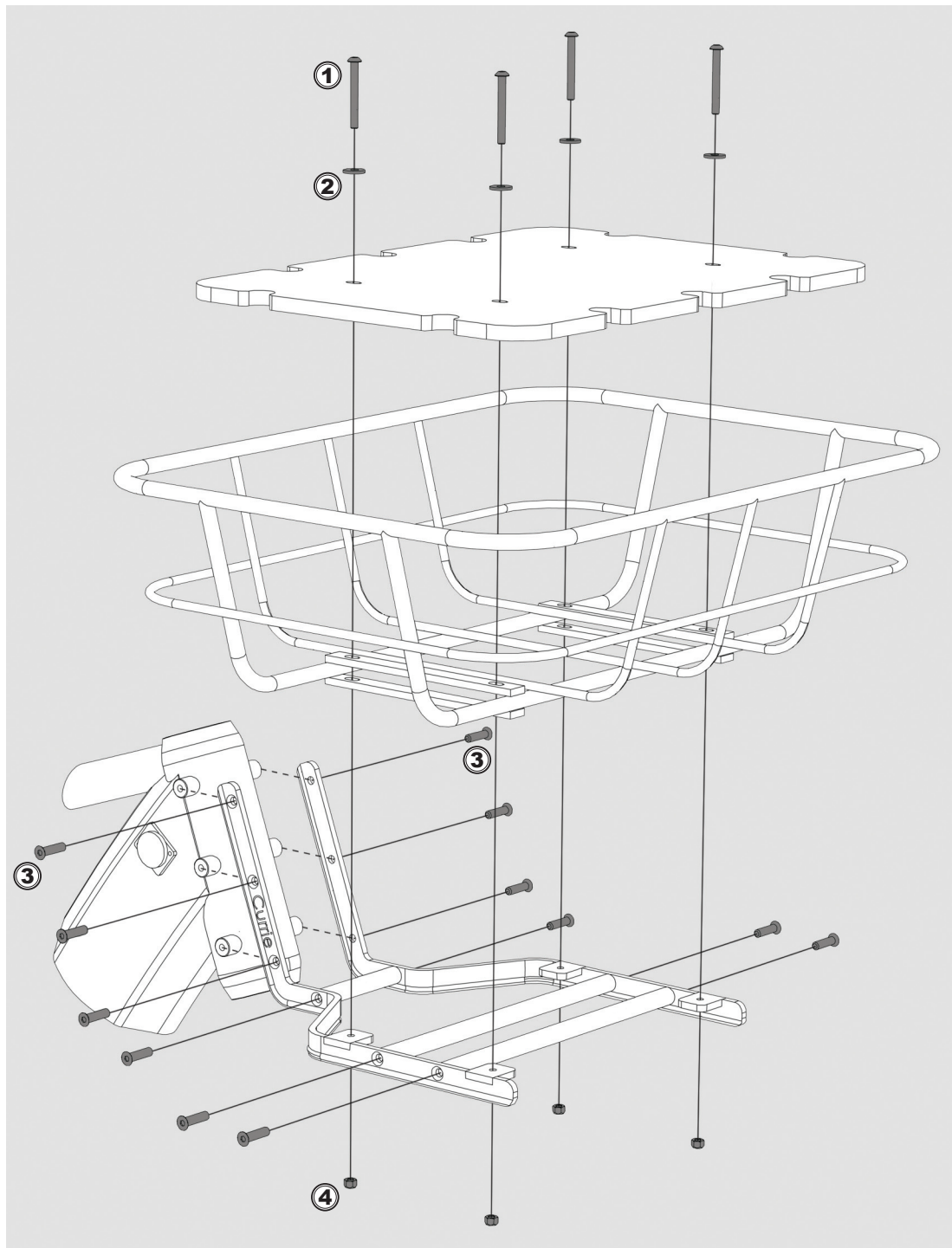




METRO

Basket Exploded View

Please assemble the front basket as shown, tightening each bolt according to the table below. The fasteners marked #3 should be installed with a thread locking compound to ensure they do not vibrate loose.



Ref. #	Description	Tightening Torque
1	M5 socket bolt, button head	2Nm (17.7 in-lb)
2	M5 washer, flat	-
3	M5 socket bolt, countersunk	7Nm (62 in-lb)
4	M5 locknut	-